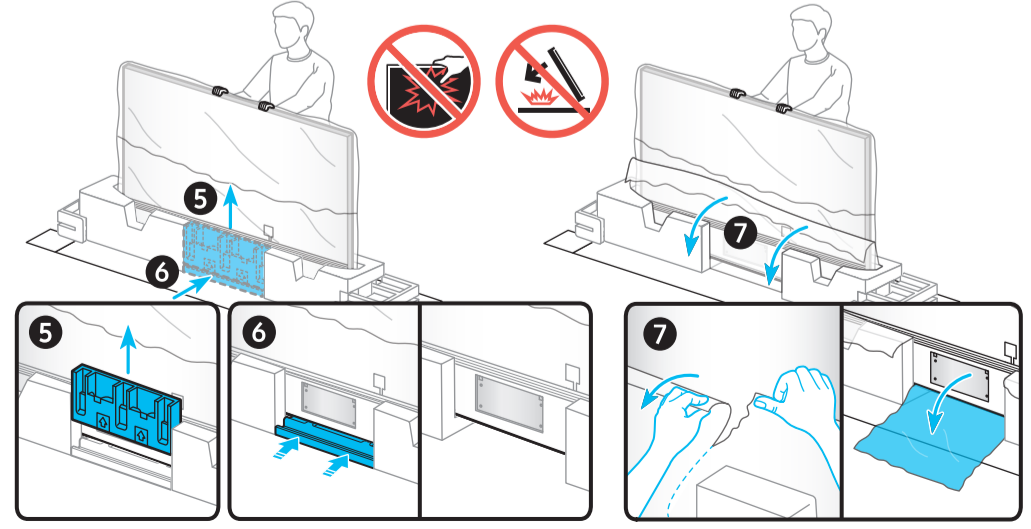
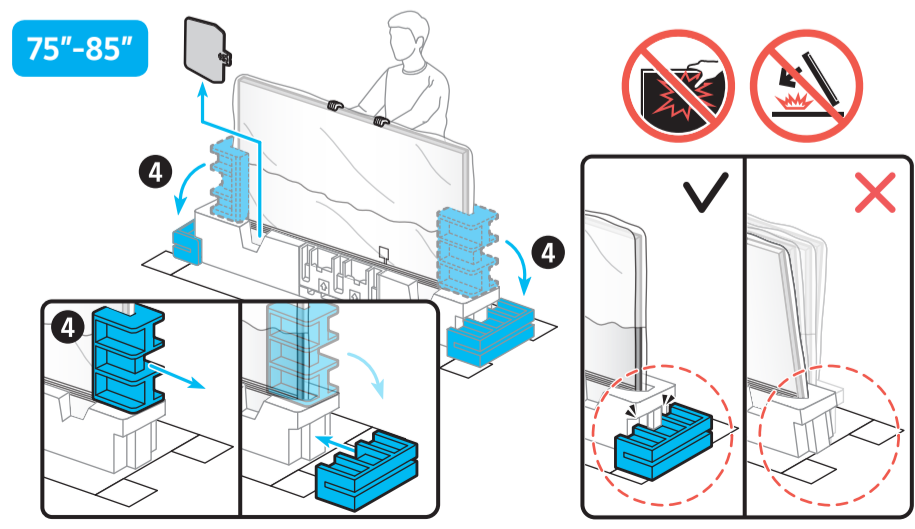
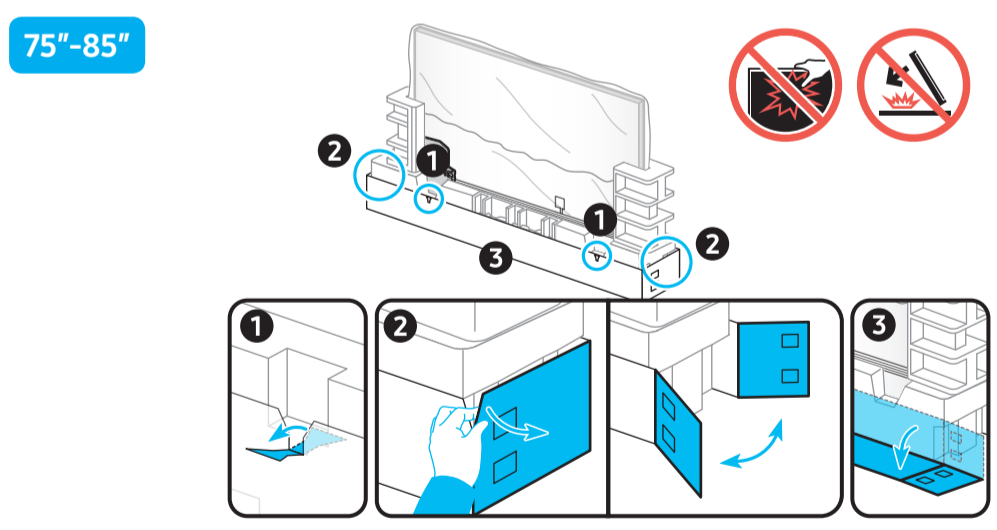
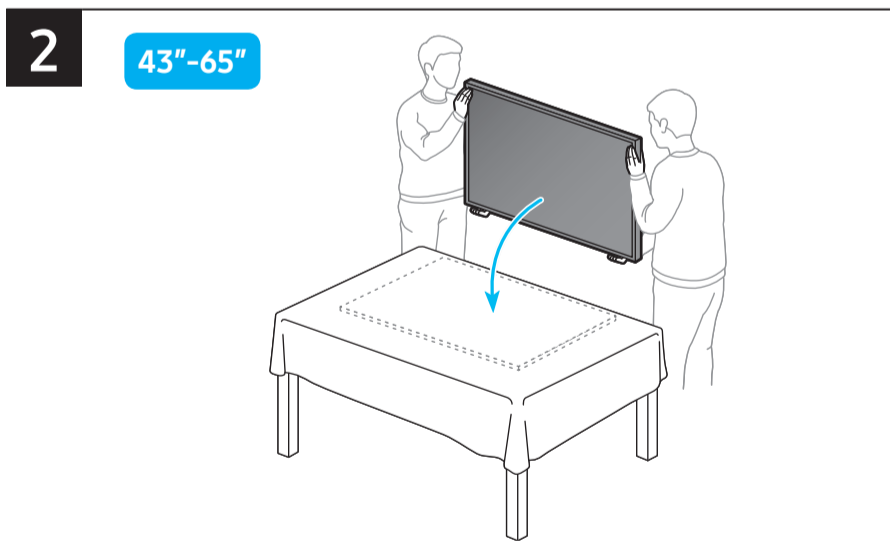
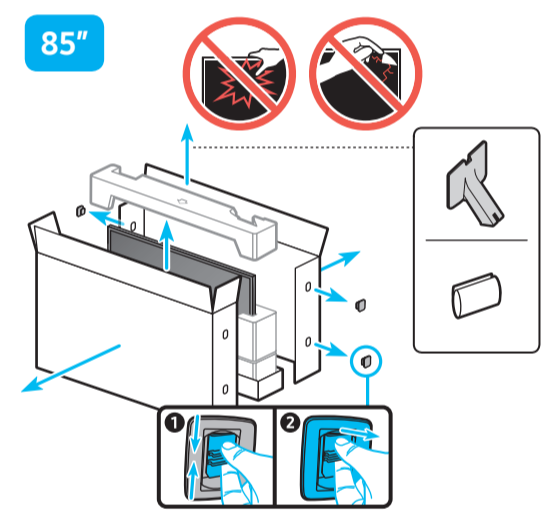
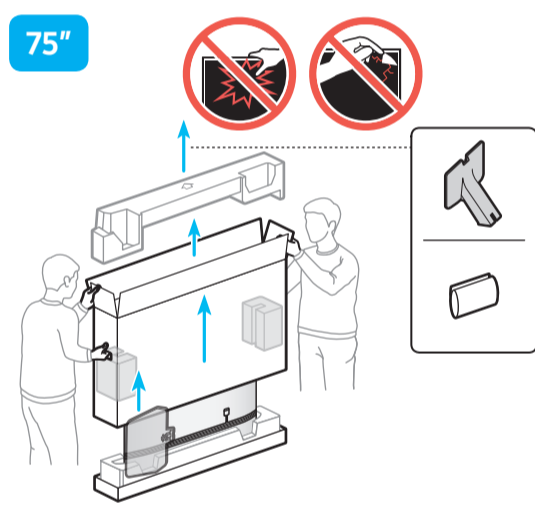
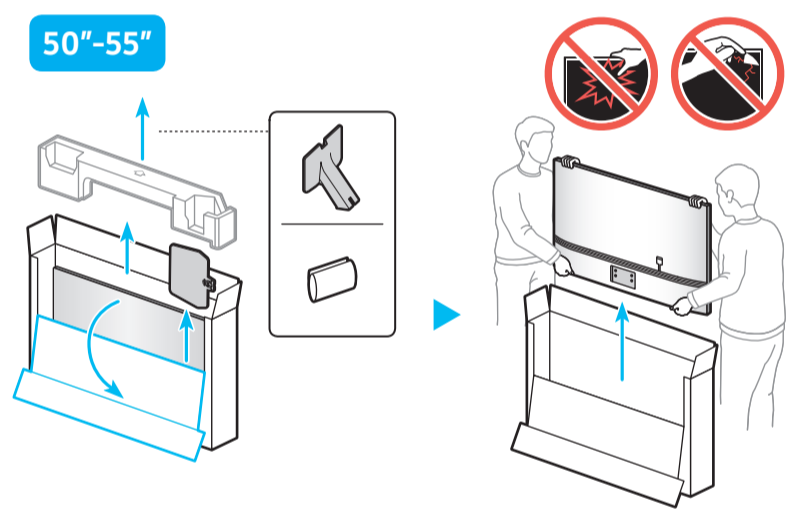
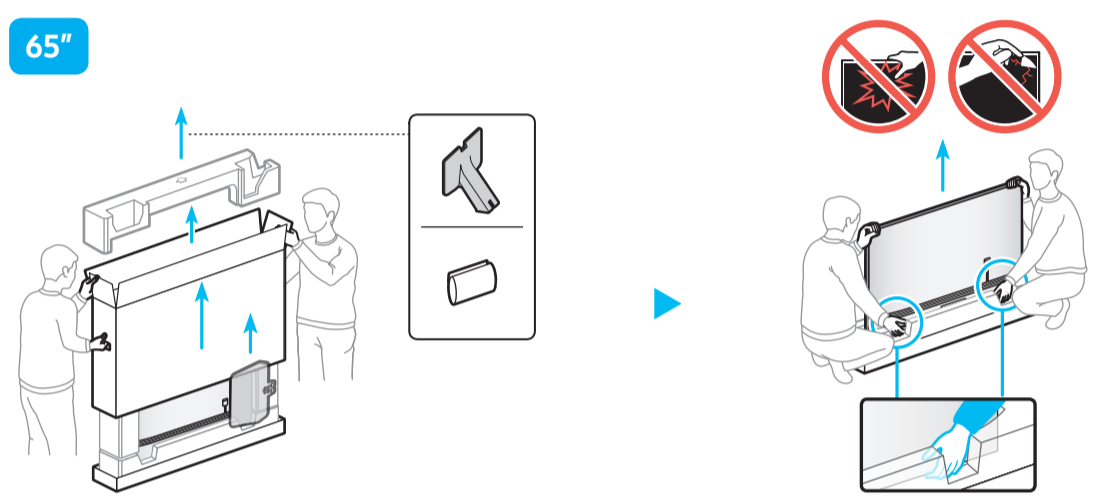
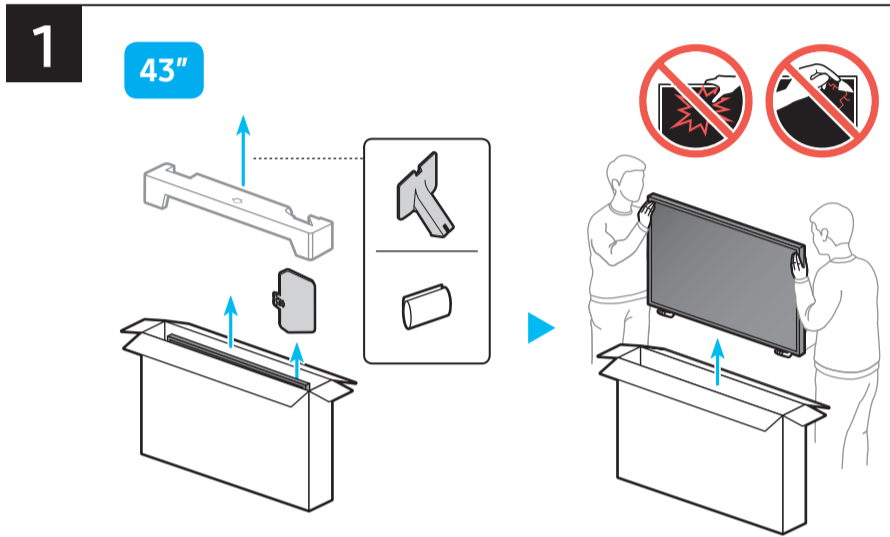
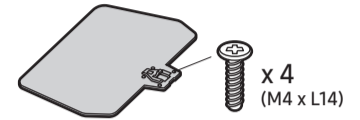
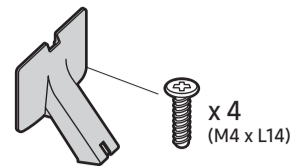
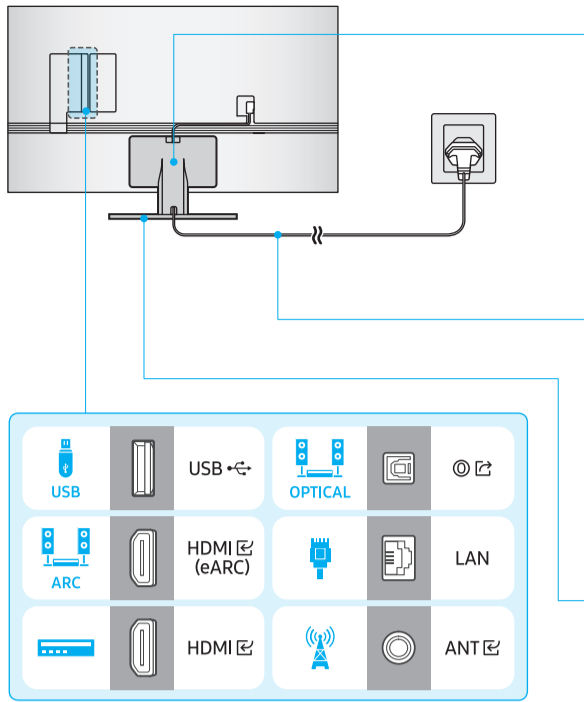
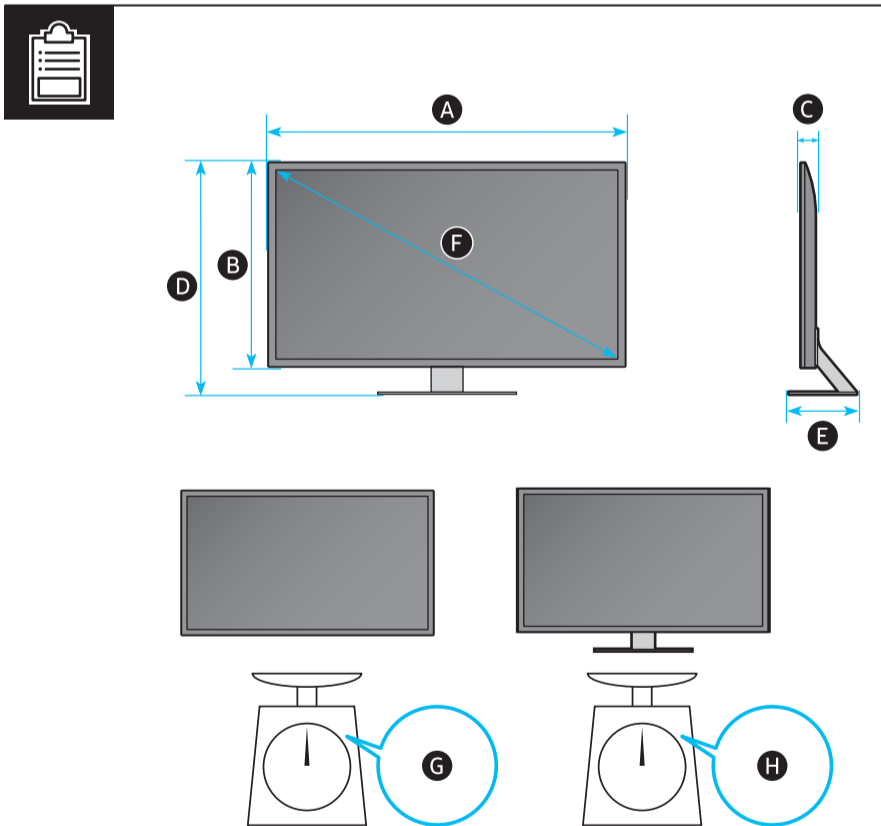
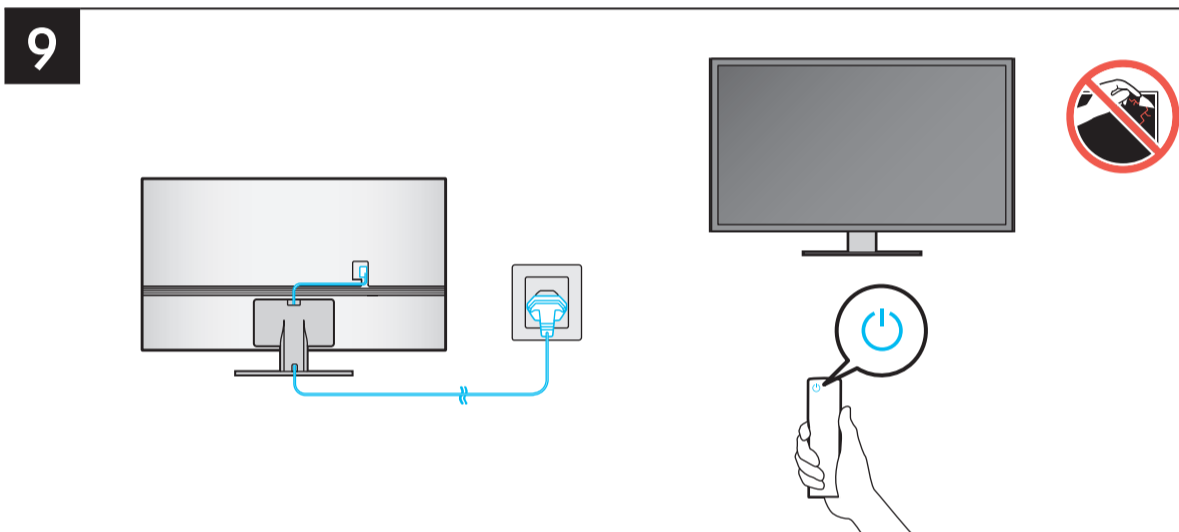
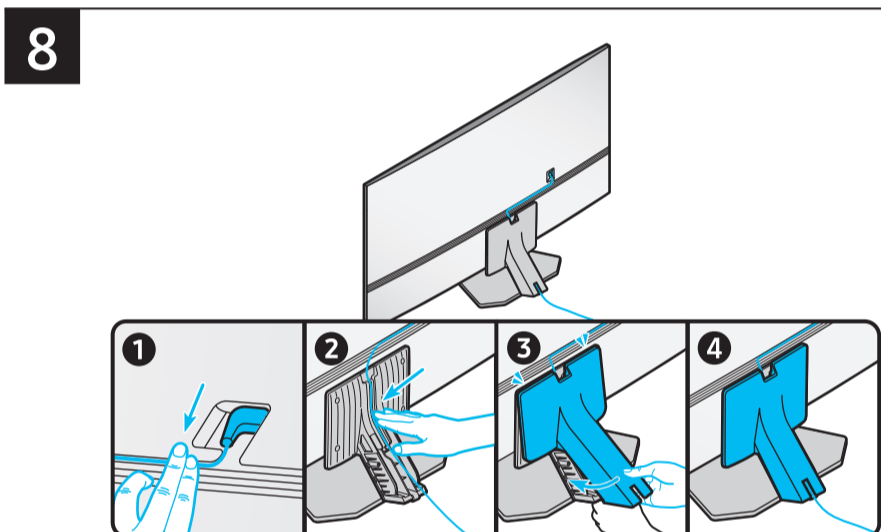
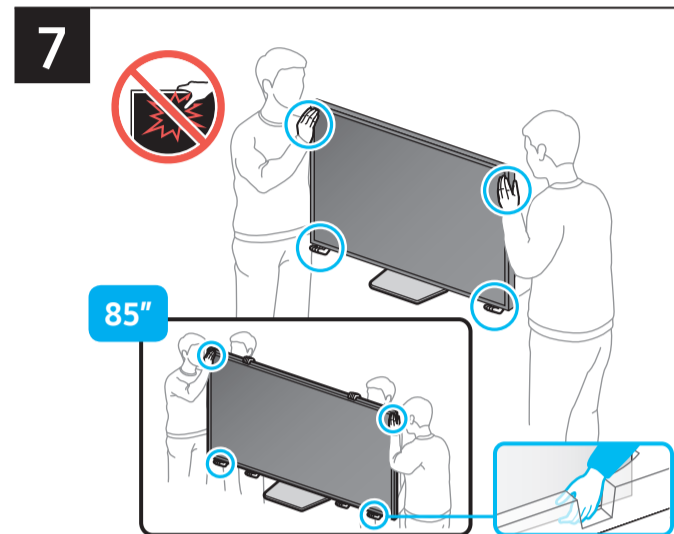
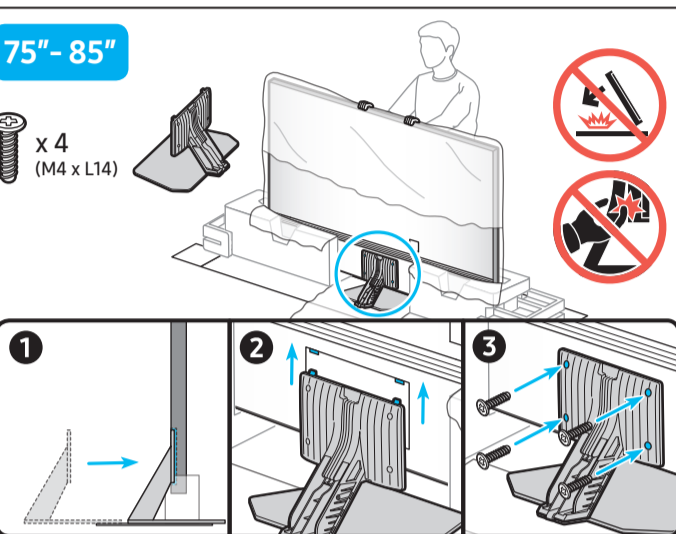
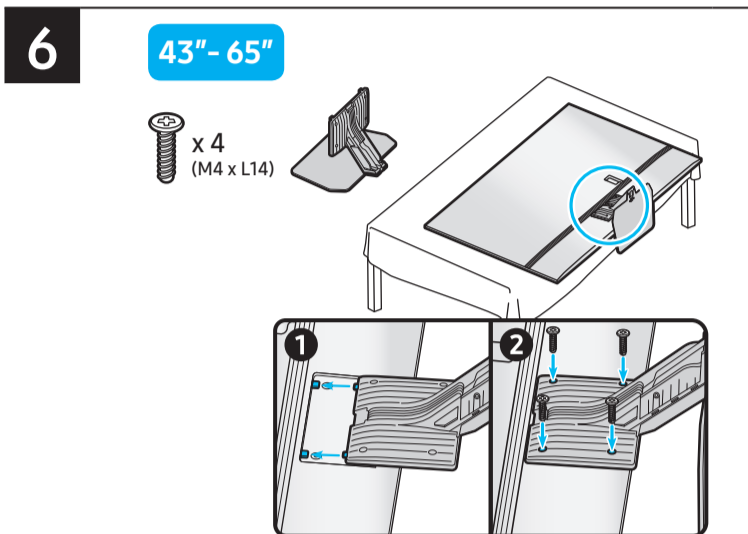
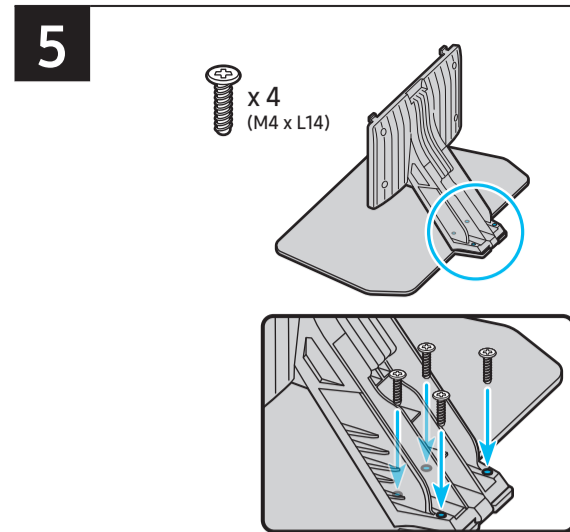
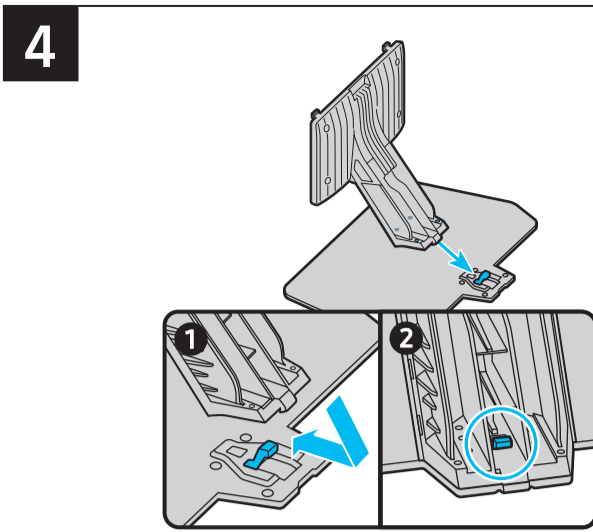
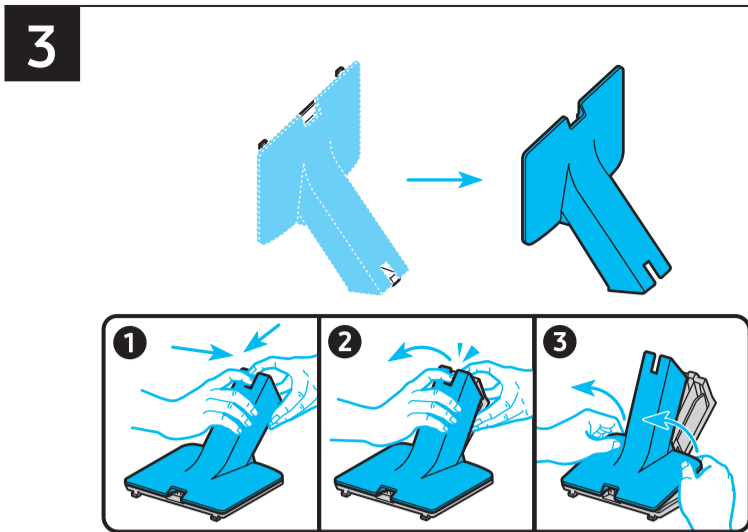


**SAMSUNG**



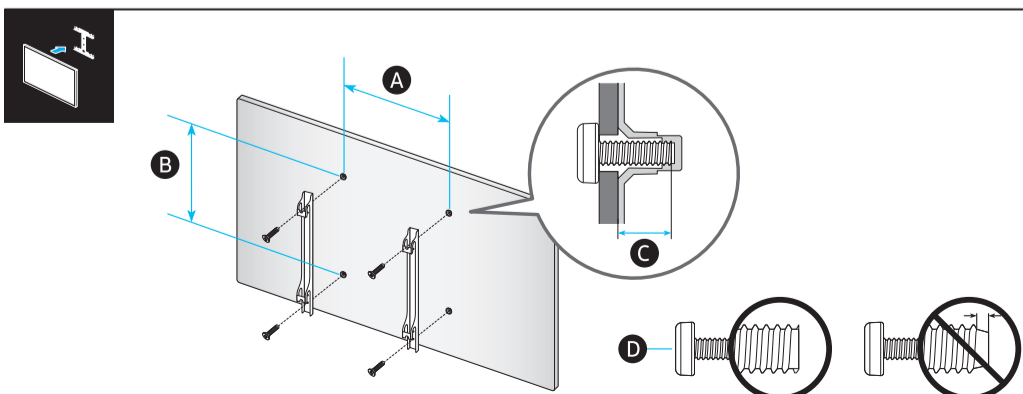
Unpacking and Installation Guide  
 Guide de déballage et d'installation  
 Guía de desembalaje e instalación  
 Manual de desempacotamento e instalação  
 Auspacken und Installationsanleitung  
 Guida al disimballaggio e all'installazione  
 Руководство по распаковке и установке  
 Қаптамадан шығару және орнату нұсқаулығы  
 Посібник з розпаковки та встановлення  
 Qadoqdan chiqarish va o'rnatish qo'llanmasi





	A	B	C	D	E	F	G	H
43QN9*D 43QND9*	37.8 inches (960.8 mm) (96.08 cm)	22.0 inches (558.9 mm) (55.89 cm)	1.1 inches (26.9 mm) (2.69 cm)	24.4 inches (619.9 mm) (61.99 cm)	8.7 inches (220.0 mm) (22.00 cm)	42.5 inches (108 cm) (108 cm)	20.7 lbs (9.4 kg) (9,4 kr)	29.5 lbs (13.4 kg) (13,4 kr)
50QN9*D 50QND9*	43.8 inches (1113.6 mm) (111.36 cm)	25.4 inches (644.1 mm) (64.41 cm)	1.1 inches (26.9 mm) (2.69 cm)	27.8 inches (705.4 mm) (70.54 cm)	8.7 inches (220.0 mm) (22.00 cm)	49.5 inches (125 cm) (125 cm)	29.8 lbs (13.5 kg) (13,5 kr)	38.8 lbs (17.6 kg) (17,6 kr)
55QN9*D 55QND9*	48.3 inches (1227.4 mm) (122.74 cm)	27.8 inches (705.6 mm) (70.56 cm)	1.1 inches (26.9 mm) (2.69 cm)	30.2 inches (768.2 mm) (76.82 cm)	9.3 inches (237.0 mm) (23.70 cm)	54.6 inches (138 cm) (138 cm)	39.0 lbs (17.7 kg) (17,7 kr)	45.4 lbs (20.6 kg) (20,6 kr)
65QN9*D 65QND9*	56.9 inches (1446.3 mm) (144.63 cm)	32.6 inches (828.7 mm) (82.87 cm)	1.1 inches (26.9 mm) (2.69 cm)	35.1 inches (891.3 mm) (89.13 cm)	10.7 inches (270.6 mm) (27.06 cm)	64.5 inches (163 cm) (163 cm)	53.4 lbs (24.2 kg) (24,2 kr)	60.6 lbs (27.5 kg) (27,5 kr)
75QN9*D 75QND9*	65.7 inches (1670.0 mm) (167.00 cm)	37.7 inches (957.4 mm) (95.74 cm)	1.1 inches (27.7 mm) (2.77 cm)	40.0 inches (1017.2 mm) (101.72 cm)	11.9 inches (301.2 mm) (30.12 cm)	74.5 inches (189 cm) (189 cm)	75.2 lbs (34.1 kg) (34,1 kr)	87.5 lbs (39.7 kg) (39,7 kr)
85QN9*D 85QND9*	74.5 inches (1892.2 mm) (189.22 cm)	42.6 inches (1081.9 mm) (108.19 cm)	1.1 inches (27.9 mm) (2.79 cm)	45.0 inches (1143.0 mm) (114.30 cm)	12.6 inches (321.3 mm) (32.13 cm)	84.5 inches (214 cm) (214 cm)	96.0 lbs (43.5 kg) (43,5 kr)	110.0 lbs (49.9 kg) (49,9 kr)

\*: 0-9, A-Z



	VESA A x B (mm) VESA A x B (mm)	C (mm) C (mm)	D x 4
43QN9*D / 43QND9*	200 x 200	11-13	M8
50QN9*D / 50QND9*			
55QN9*D / 55QND9*			
65QN9*D / 65QND9*	400 x 300	11-13	M8
75QN9*D / 75QND9*	400 x 400		
85QN9*D / 85QND9*	600 x 400		

\*: 0-9, A-Z